

Pressure Regulators

DESCRIPTION

Brooks 8600 Series Pressure Regulators are high precision supply pressure regulators for gas or liquid which are direct acting, relieving units that provide bubble-tight shut-off on Helium at 7 bar. The PC 8606 and 8607 have metal diaphragms to eliminate hydro-carbon outgassing prevalent with elastomer diaphragm units.

SPECIFICATIONS

Spring ranges

- * 0 - 0.7 bar
- * 0 - 2.0 bar
- * 0 - 4.0 bar
- * 0 - 7.0 bar
- * 0 - 10.0 bar
- * 0 - 14.0 bar
(Model 8601 only)

Maximum Supply Pressure 17 bar
Pressure Drop Range 0.7 - 17 bar
Maximum oper. temp. Standard 60 °C
 Optional 177 °C

Drift Less than 1% in first 15 minutes to total 1.5 % long term

Supply Pressure Effect 0.7 bar increase in supply will not change out put more than 0.005 bar

Ambient temp. effect 0.0015 bar/°C (4 bar spring range)

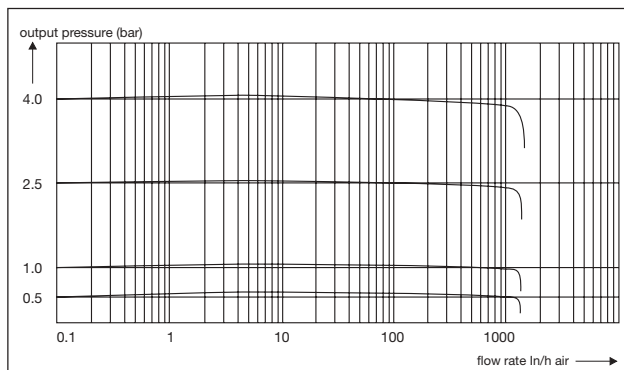


Model 8606

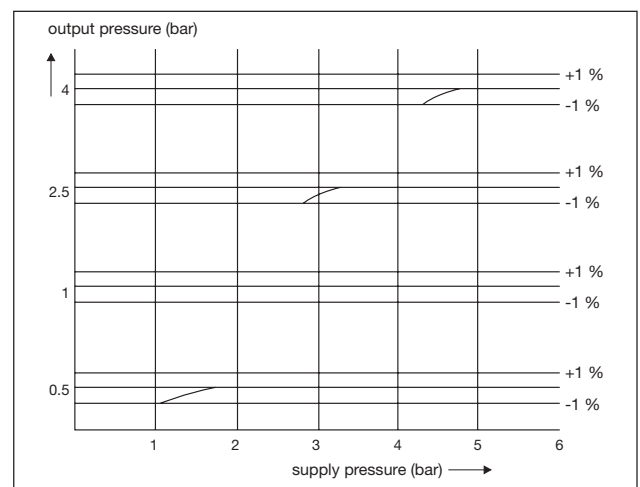
CONSTRUCTION DATA

<i>Body</i>	Aluminium or 316 SS
<i>Bonnet</i>	Aluminium for model 8601
<i>Nickel plated brass</i>	for models 8606/07
<i>Internal valve stem</i>	316 SS
<i>Internal valve seat</i>	Brass/viton or 316 SS/viton
<i>Valve spring</i>	316 SS
<i>Diaphragm</i>	Buna or viton for model 8601
	Havar for models 8606/07
<i>Range spring</i>	Music wire, zinc plated

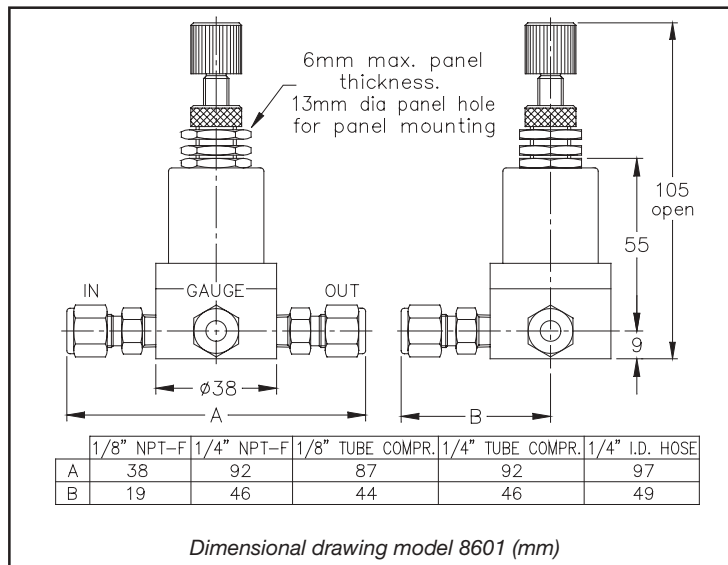
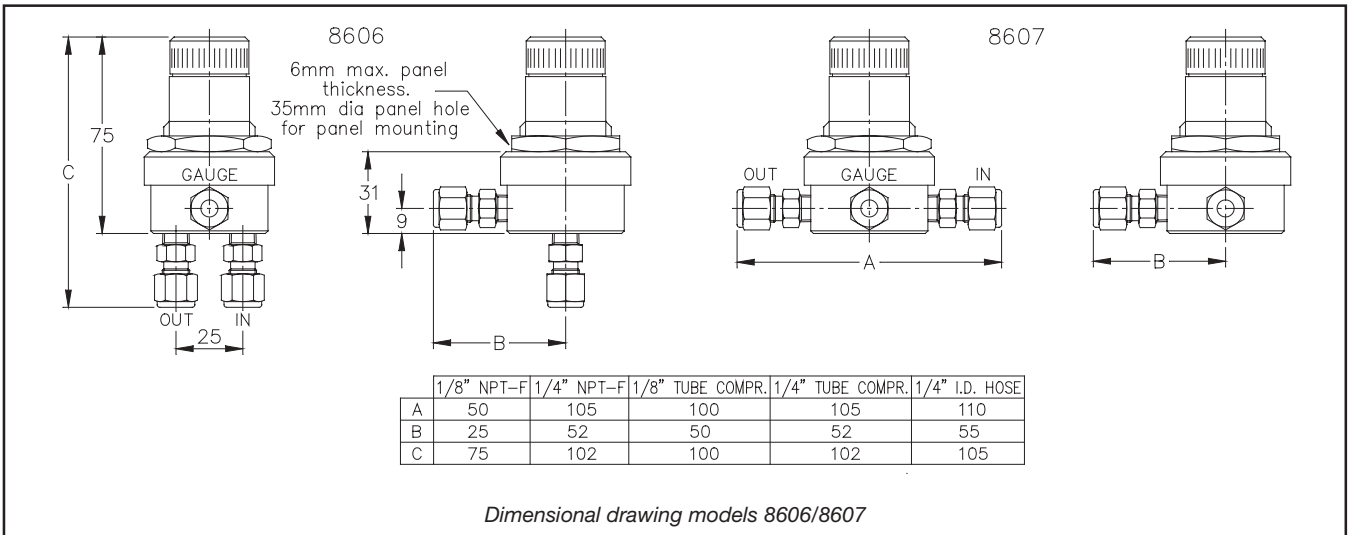
PERFORMANCE CURVES FOR 8601/06/07



Flow rate variation effect on output pressure



Supply pressure variation effect on output pressure



BROOKS LOCAL AND WORLDWIDE SUPPORT

Brooks Instrument provides sales and service facilities around the world, ensuring quick delivery from local stock, timely repairs and local based sales and service facilities. Our dedicated flow experts provide consultation and support, assuring successful applications of the Brooks flow measurement and control products.

Calibration facilities are available in local sales and service offices. The primary standard calibration equipment to calibrate our flow products is certified by our local Weights and Measures Authorities and traceable to the relevant international standards.

START-UP SERVICE AND IN-SITU CALIBRATION

Brooks Instrument can provide start-up service prior to operation when required. For some process applications, where ISO-9001 Quality Certification is important, it is mandatory to verify and/or (re)calibrate the products periodically. In many cases this service can be provided under in-situ conditions, and the results will be traceable to the relevant international quality standards.

CUSTOMER SEMINARS AND TRAINING

Brooks Instrument can provide customer seminars and dedicated training to engineers, end users and maintenance persons. Please contact your nearest sales representative for more details.

HELP DESK

In case you need technical assistance :



SERV' INSTRUMENTATION

Mesure et Contrôle vos fluides

ZI Broteau Nord

69540 Irigny

TEL 33 (0)4 78 51 47 50

FAX 33 (0)4 78 51 59 96

<http://www.servinstrumentation.fr>

Due to Brooks Instrument's commitment to continuous improvement of our products, all specifications are subject to change without notice.