



Super Micro Flowmate FLOWMATE (OVAL M-III)

GENERAL SPECIFICATION
GS.No.GBB340-8-E

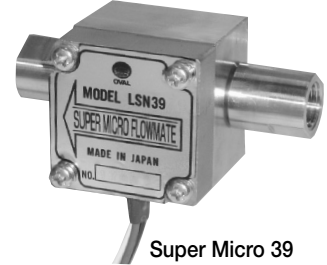


■ GENERAL

Designed for monitoring fuel consumption of combustion appliances and heaters or elsewhere where small flow measurement is desired, the FLOWMATE (OVAL M-III) is a compactly built liquid service Oval flowmeter dedicated to remote control with a pulse generator. Meter size 38 (resin body) intended for water and pure water applications is a new addition to this series, expanding the application range for small flow metering.



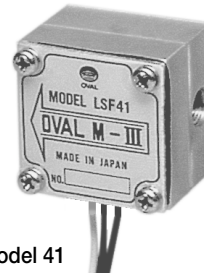
Super Micro 38



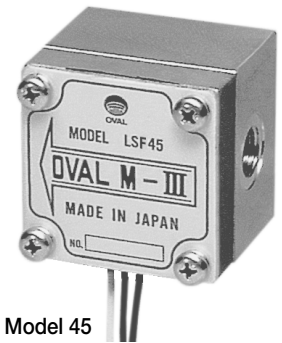
Super Micro 39

■ FEATURES

1. Compact configuration with built-in pulse generator.
2. Simple and firm construction. Inexpensive.
3. Remote totalizing counter displays actual throughput of flow to be utilized for monitoring and controlling of fuel consumption in various types of instruments.
4. Multiple flow control systems can be made-up being combined with versatile flow control elements such as pump and valves, i.e: proportional injection of additives in fine chemical processes.
5. Ideal for fuel cell applications or other low to micro flow measurement.



Model 41



Model 45

■ GENERAL SPECIFICATIONS

● Flow Range

Unit in L/h

Viscosity	Water	More than 0.3mPa*s and less than 0.8mPa*s	More than 0.8mPa*s and less than 2.0mPa*s	More than 2.0mPa*s and less than 5.0mPa*s	More than 5.0mPa*s and less than 200mPa*s	More than 5.0mPa*s and less than 1000mPa*s	Rotor Material
Super Micro 38	0.09~3						PEEK resin
Super Micro 39			0.12~ 6	0.12~ 6			PPS resin
40		1.5~ 50	1.0~ 50	0.7~ 50	0.5~ 50		Special resin
41		3.0~ 100	2.0~ 100	1.5~ 100	1.0~ 100		Special resin
		7.0~ 100	4.0~ 100	2.0~ 100	1.0~ 100		Stainless Steel
45		10.0~ 500	7.0~ 500	4.0~ 500	2.5~ 500		Special resin
		25.0~ 500	15.0~ 500	7.0~ 500	3.5~ 500		Stainless Steel

● Meter Body

Item	Description											
Meter size	Super Micro 38		Super Micro 39		40		41		45			
Nominal size	R 1/4		Rc 1/4 (With the fitting furnished.)		Rp 1/8 (6mm)		Rp 1/8 (6mm)		Rp 1/4 (8mm)			
Accuracy	0.09~0.18 L/h ±10% RD 0.18~3 L/h ±3% RD		0.12~0.3 L/h ±8% RD 0.3~6 L/h ±3% RD		±1% RD							
Operating temp. range	-10~+60°C				-20~+80°C							
Max. operating press.	0.3MPa		0.49MPa		0.98MPa							
*2 Material	Body	P	C		L	C	L	C	C	L	C	C
	Rotors	P	P		K	K	K	K	C	K	K	C

*1 Acceptable physical orientation of meter size 38 is from bottom to top only in the pipeline.

*2 Material C ; Stainless steel (Body : SUS316, Rotor : SUS316L (Sintered metal))

L ; Aluminum + Alumite treatment

K ; Special resin

P ; PPS resin (For measurement of materials other than water, purified water and oils, consult the factory.) Model 39 only

P ; PEEK resin (For measurement of materials other than water, purified water) Model 38 only

NOTE; Body material with code "L" is not serviceable with water and corrosive liquids.



SERV' INSTRUMENTATION



● Pulse Generator

1. MR sensor (standard)

Item	Description	
	Model 38	Model 39, 40, 41, 45
Detection method	Magnetic sensor	
Response frequency	Max.1000Hz	
Ambient temp. range	-20~+80°C	
Output pulse	Voltage pulse 0/1=Min. 1VDC/[Supply voltage] -Min. 2VDC (at load resistance Min.10kΩ) 	Voltage pulse : 0/1=Min. 0.5V/6.4~7.4V (at load resistance Min. 10kΩ)
	Wave form ratio (%) $4.0 \leq \frac{H}{H+L} \times 100 \leq 65.0$	
Transmission distance	Max. 1km (Cable : CVVS 1.25~2sq.)	
Power supply	12~24VDC±10%	
Power consumption	Max. 10mA (Max 0.3W)	

● Output Pulse Unit

Meter size	Scaled pulse		Unscaled pulse		Max. Flow rate L/h
	Pulse Unit mL/P	Freq. at Max. Flow rate Hz	Meter Factor mL/P	Freq. at Max. Flow rate Hz	
Super Micro 38	—	—	0.055	15.2	3
Super Micro 39	—	—	0.161	10.4	6
40	1	13.9	0.25	55.6	50
41	1	27.8	0.5	55.6	100
45	10	13.9	2.5	55.6	500

2.Reed Switch (Option: Except for Size 38 or 39)

Item	Description
Max. operating voltage	AC : 45V, DC : 45V
Contact capacity	10W or 0.5A
Electric durability	DC : 250V RMS 1min.
Output pulse	Contact pulse (Unscaled pulse only)
Ambient temperature	-20~+85°C (at less than 90%RH)

● Output Pulse Unit

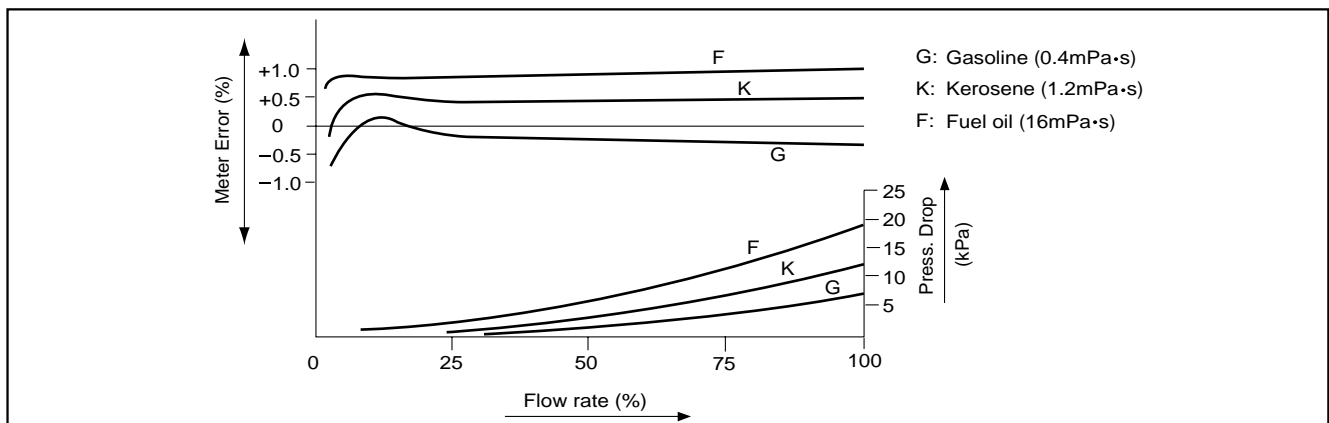
Meter size	Unscaled pulse		Max. Flow rate L/h
	Meter Factor mL/P	Freq. at Max. Flow rate Hz	
40	0.5	27.8	50
41	1.0	27.8	100
45	5.0	27.8	500

■ APPLICABLE EN DIRECTIVES

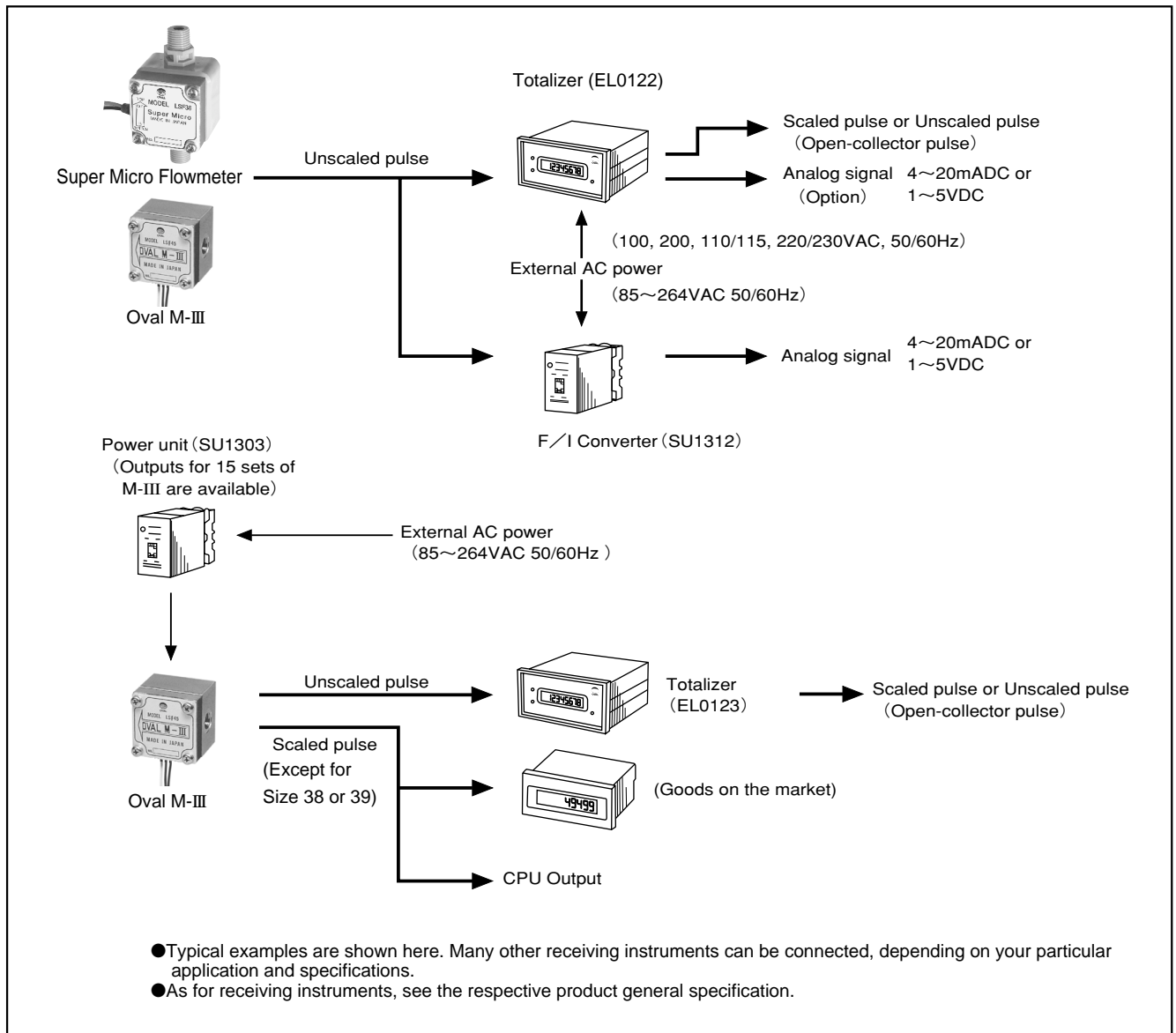
Applicable EU Directive	Electro-Magnetic Compatibility Directive : 89/336/EEC, 92/31/EEC, 93/68/EEC
Applicable EN standards, etc.	For Electro-Magnetic Compatibility Directive EN55011 : 1998/A1 : 1999, Group 1, Class B EN61000-6-2 : 1999

Provision of a lightning arrester (M-SYSTEM : MDP-SP or equivalent) is prerequisite.

■ METER ERROR AND PRESSURE DROP



■ COMBINATION WITH RECEIVING INSTRUMENTS



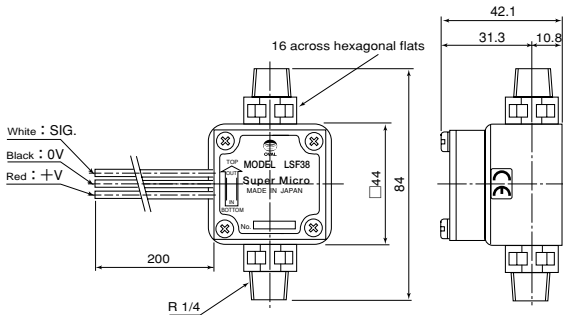
■ PRODUCT CODE EXPLANATION

Item	Code. No.									Description	Combination					
	1	2	3	4	5	6	7	8	9		38	39	40	41	45	
Kind	L	S	F								OVAL M-III	○	○	○	○	○
Model				3	8						R 1/4 male	○				
				3	9						G 1/8		○			
				4	0						Rp 1/8 (6mm)			○		
				4	1						Rp 1/8 (6mm)				○	
				4	5						Rp 1/4 (8mm)					○
Material of Metering elements						P					Body (C) + Rotor (P: PEEK resin) Size 38 only	○	X	X	X	X
						P					Body (C) + Rotor (P: PPS resin) Size 39 only	X	○	X	X	X
						C					Body (C) + Rotor (C)	X	X	X	○	○
						L					Body (L) + Rotor (K)	X	X	○	○	○
						P					Body (C) + Rotor (K)	X	X	○	○	○
Connection						0	-				No connector	X	○	○	○	○
						8	-				w/connector (option)	X	○	○	○	○
Generation								M			MR sensor	○	○	○	○	○
								R			Reed switch (option)	X	X	○	○	○
Kind of pulse									1		Unscaled pulse	○	○	○	○	○
									2		Scaled pulse (MR sensor only)	X	X	○	○	○

Note ○: Available
 X: Not available

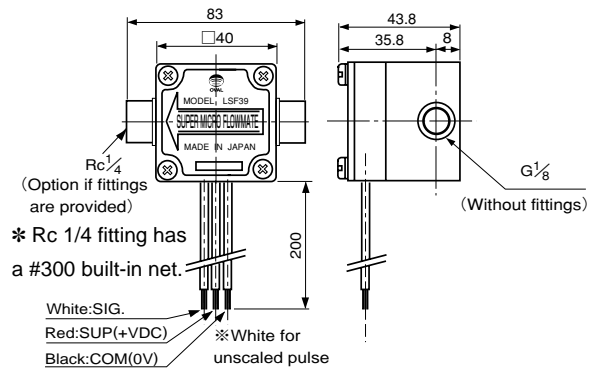
■ OUTLINE DIMENSIONS (Unit in mm)

● Super Micro Flowmate (size 38)

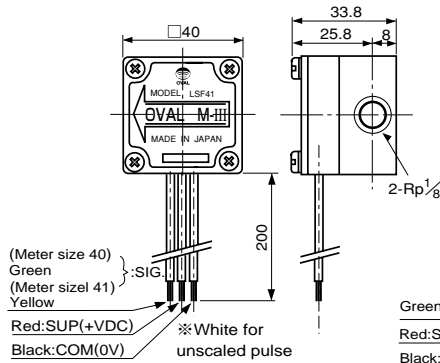


NOTE: For meter size 38, prepare a strainer (mesh # 300).
Meter size 39 requires a strainer if fittings are not provided.

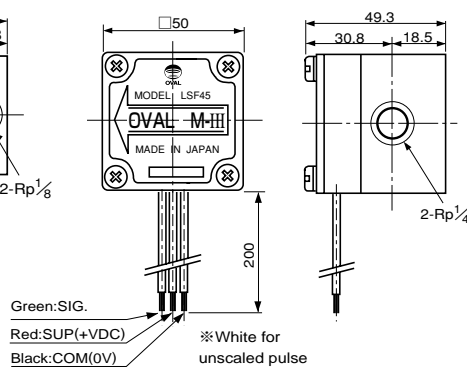
● Super Micro Flowmate (size 39)



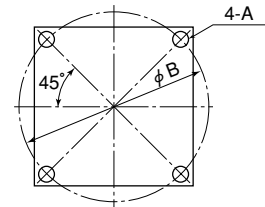
● Meter size 40, 41



● Meter size 45



● Measurements



MODEL	A	B	Screw depth
39	M4	45	6
40	M4	45	6
41	M4	45	6
45	M5	56	15

■ STRAINER

● YS12, 13

Meter Size : 40, 41, 45
Max. Operation Press : 1.57MPa
Body Material : FC200 (Cast Iron) or SCS14A (Stainless steel)
Net Material : SUS316 (Stainless steel)

Unit in mm

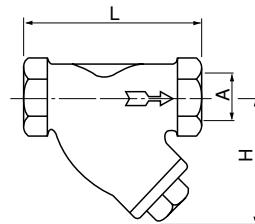
● Dimension

Nominal size A	Material	L	H	Net mesh
*1 Rc 1/8	B	110 *2	60	200
	C	95 *2	50	200
Rc 1/4	B	80	60	200
	C	65	50	200

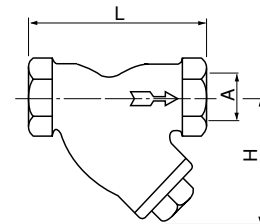
*1 For models 40 and 41 (Rc 1/8), we furnish R1/4×Rc 1/8 bushings. (Bushings are contained in the same package for the strainer.)

*2 Dimensions are shown with bushings installed.

● Outline (Material:B)



● Outline (Material:C)



● Product code

Item	Code No.					Description
	①	②	③	④	⑤	
Model	Y	S				M-III strainer
Nominal size	1	2				Rc 1/8 (Meter size 40, 41)
	1	3				Rc 1/4 (Meter size 45)
Material			B			FC200
			C			SCS14A

The specification as of September 2006 is stated in this GS Sheet. Specifications and design are subject to change without notice.



SERV' INSTRUMENTATION

Mesure et Contrôle vos fluides
ZI Broteau Nord
69540 Irigny
TEL 33 (0)4 78 51 47 50
FAX 33 (0)4 78 51 59 96
<http://www.servinstrumentation.fr>